



## Mini Implant Series



# Characteristics

Anker mini implant system simplifies surgical procedure, benefits each dentist and each patient.

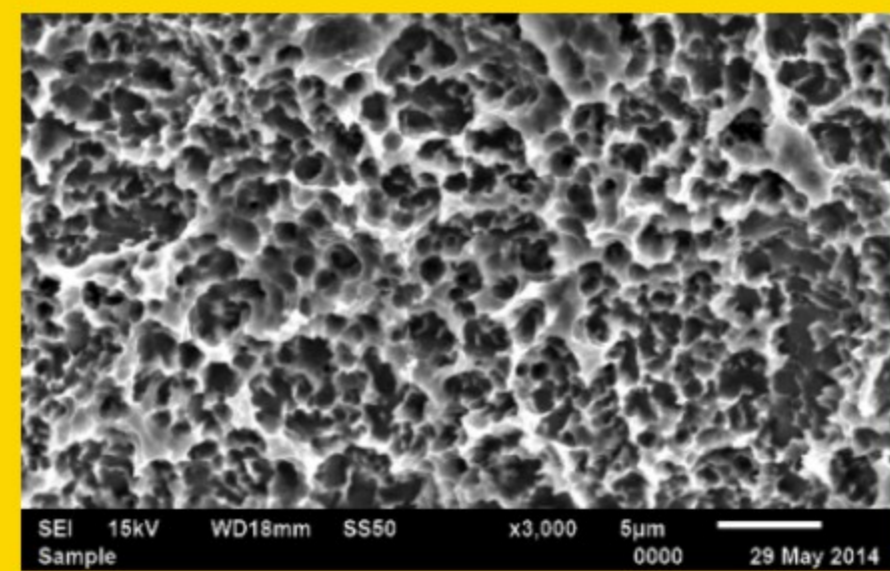


## Abutment Design

Innovative design to adapt the height of gingival for better aesthetics outcome

## Surface Treatment

Implant surface treatment is S.L.A., which increase the roughness of the surface and promote BIC.



## Thread Design

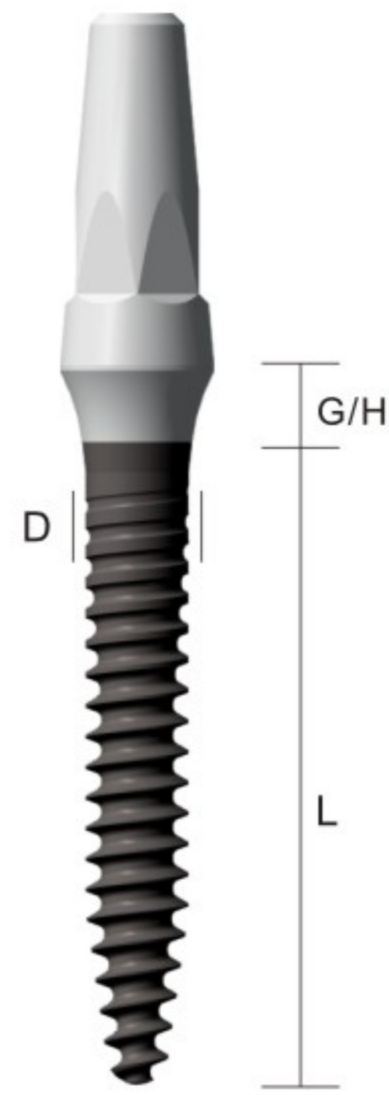
The thread design makes it easy to place and allows immediate loading because the thread is also design for stability in bone



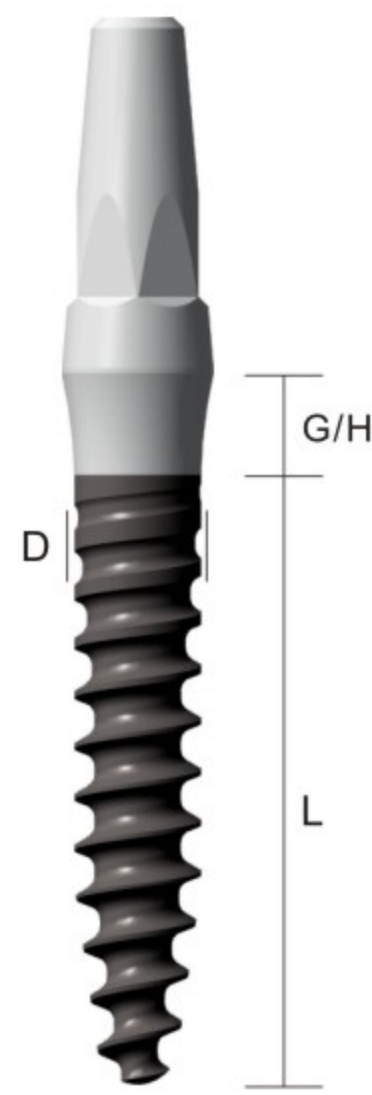
# Product Specification



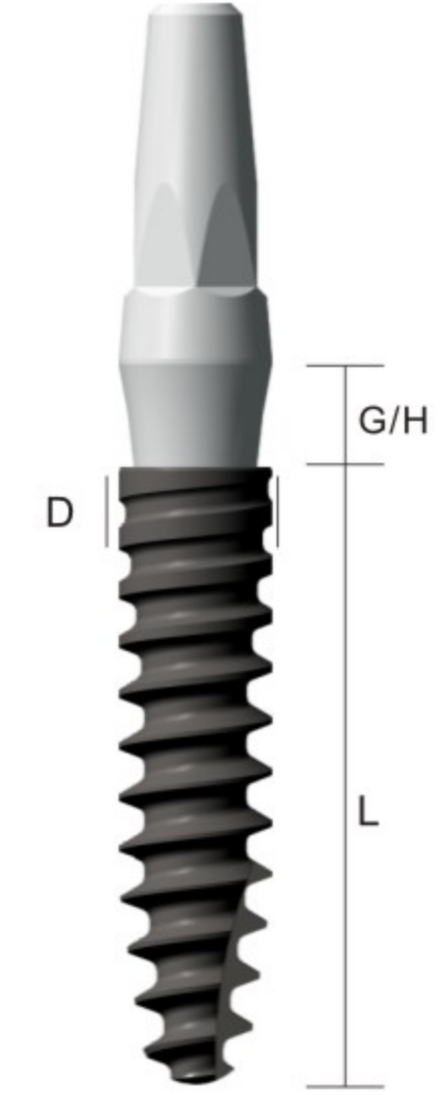
Ø2.0



Ø2.5



Ø3.0



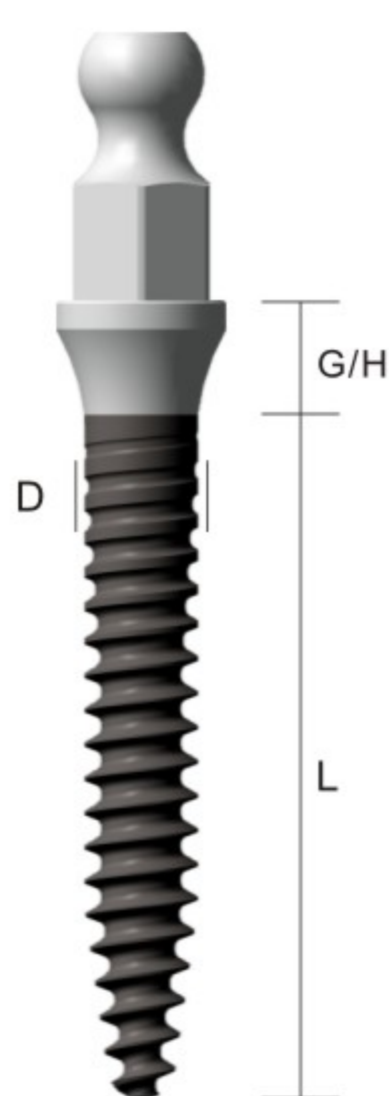
Diameter	Ø2.0	
Pitch	0.6	
L	G/H	
	2	4
10	<b>MIP20210</b>	<b>MIP20410</b>
12	<b>MIP20212</b>	<b>MIP20412</b>
14	<b>MIP20214</b>	<b>MIP20414</b>

Diameter	Ø2.5	
Pitch	1	
L	G/H	
	2	4
10	<b>MIP25210</b>	<b>MIP25410</b>
12	<b>MIP25212</b>	<b>MIP25412</b>
14	<b>MIP25214</b>	<b>MIP25414</b>

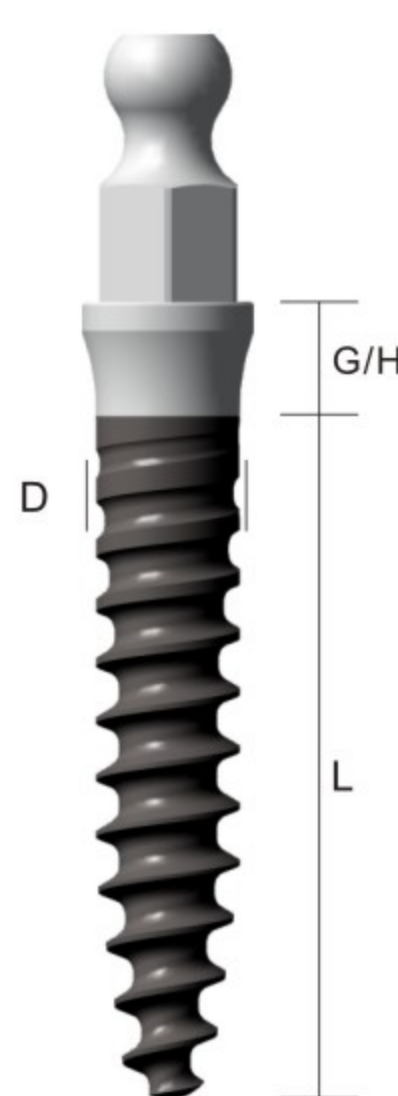
Diameter	Ø3.0	
Pitch	1	
L	G/H	
	2	4
10	<b>MIP30210</b>	<b>MIP30410</b>
12	<b>MIP30212</b>	<b>MIP30412</b>
14	<b>MIP30214</b>	<b>MIP30414</b>
16	<b>MIP30216</b>	<b>MIP30416</b>



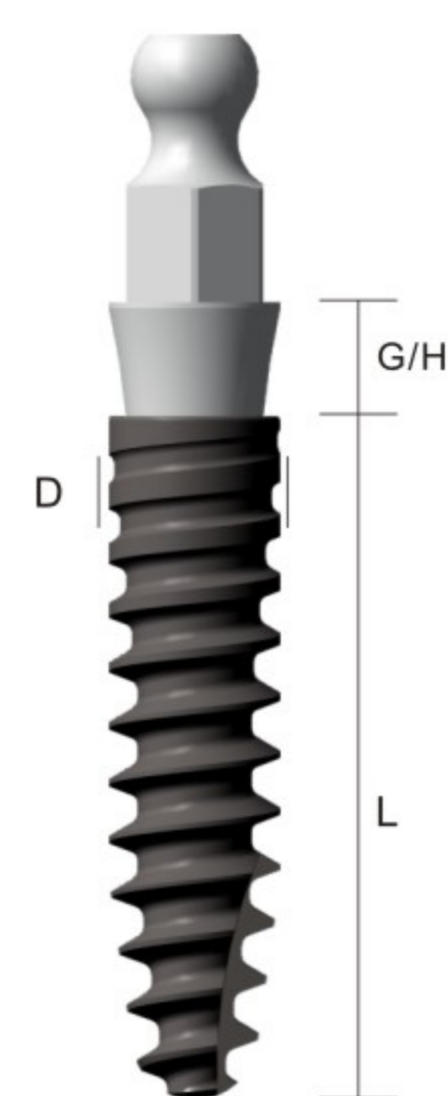
Ø2.0



Ø2.5



Ø3.0



Diameter	Ø2.0	
Pitch	0.6	
L	G/H	
	2	4
10	<b>MIB20210</b>	<b>MIB20410</b>
12	<b>MIB20212</b>	<b>MIB20412</b>
14	<b>MIB20214</b>	<b>MIB20414</b>

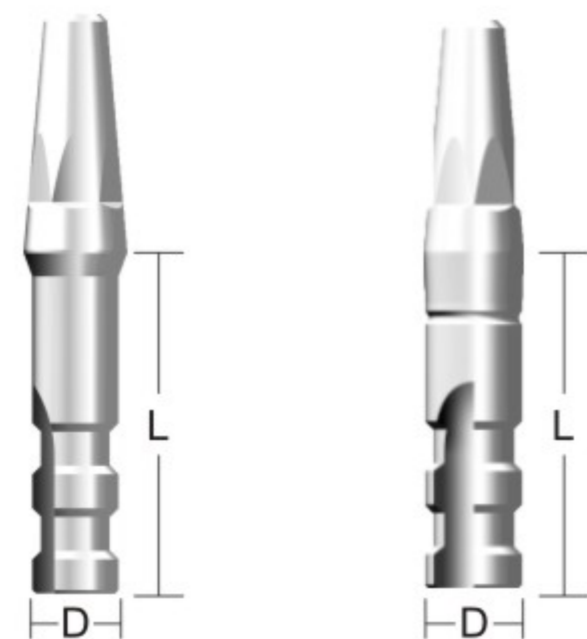
Diameter	Ø2.5	
Pitch	1	
L	G/H	
	2	4
10	<b>MIB25210</b>	<b>MIB25410</b>
12	<b>MIB25212</b>	<b>MIB25412</b>
14	<b>MIB25214</b>	<b>MIB25414</b>

Diameter	Ø3.0	
Pitch	1	
L	G/H	
	2	4
10	<b>MIB30210</b>	<b>MIB30410</b>
12	<b>MIB30212</b>	<b>MIB30412</b>
14	<b>MIB30214</b>	<b>MIB30414</b>
16	<b>MIB30216</b>	<b>MIB30416</b>

# Prosthesis Accessories



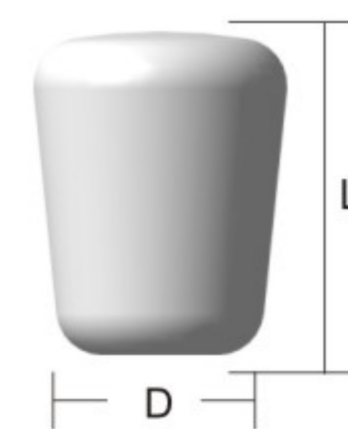
Post Analog



L \ D	Ø2.5	Ø3.0
10	<b>MIPA2510</b>	<b>MIPA3010</b>



Tony Cap  
Heating Cap



D	L	REF No.	Application
1.7	6.0	SBTC 1706	Outer Diameter of Abutment : 2.5~3.0
1.9	6.0	SBTC 1906	Outer Diameter of Abutment : 3.0~3.75

\*Elasticity silicon basis



Custom Abutment



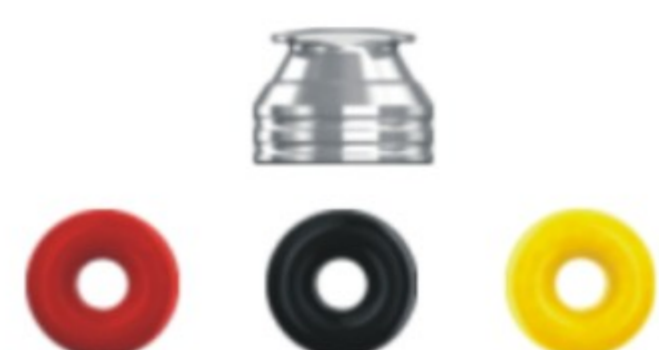
L \ D	Ø4.0
11	<b>MICUA4011</b>

Impression Coping



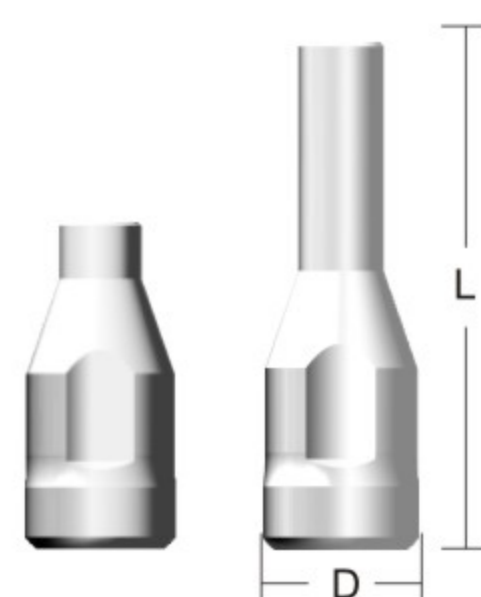
L \ D	Ø3.7
11	<b>MIIC3711</b>

Retainer Set



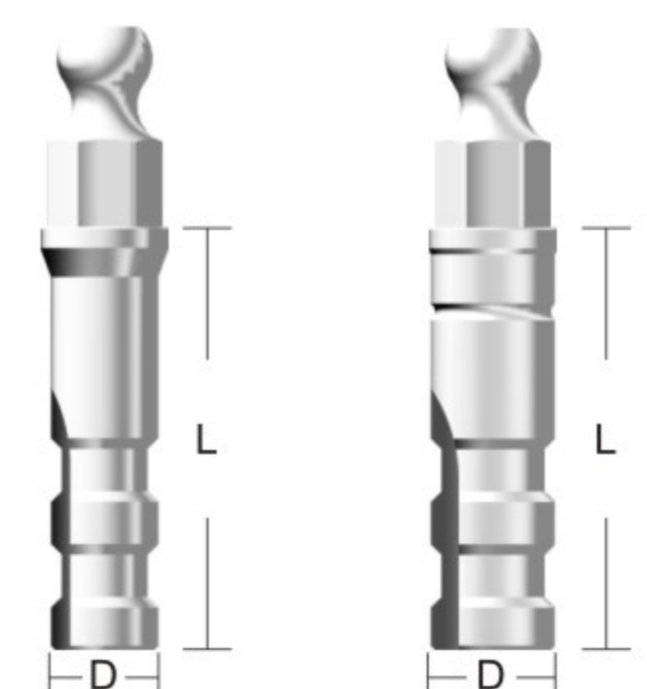
Code	<b>SBRS</b>
------	-------------

Cemented Abutment



L \ D	Ø3.7
8	<b>MICEA3708</b>
12	<b>MICEA3712</b>

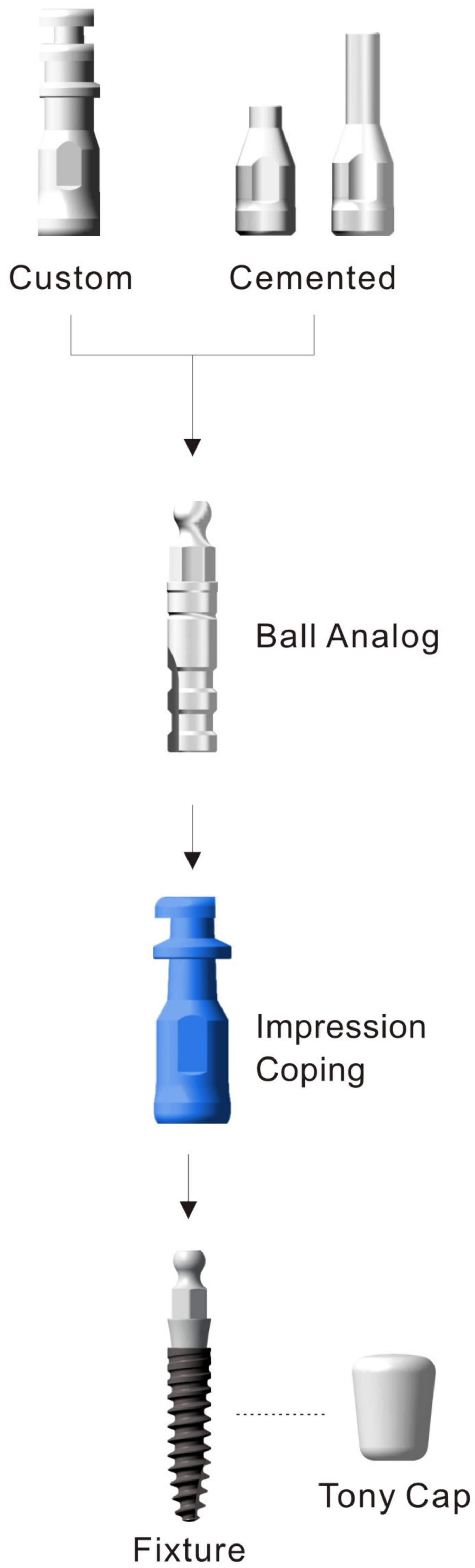
Ball Analog



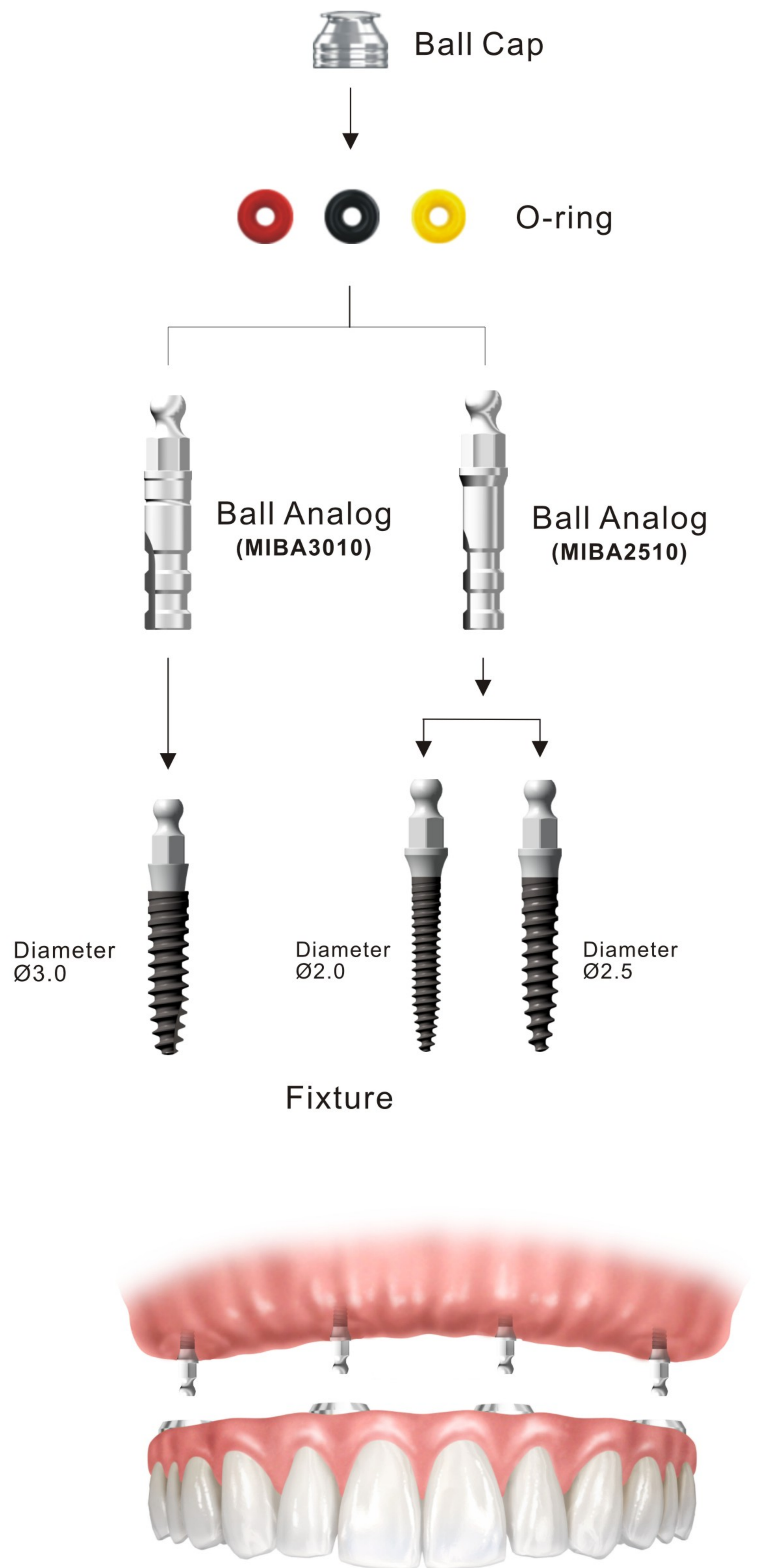
L \ D	Ø2.5	Ø3.0
10	<b>MIBA2510</b>	<b>MIBA3010</b>

# Anker Mini Implant System Flowchart : MIB Series

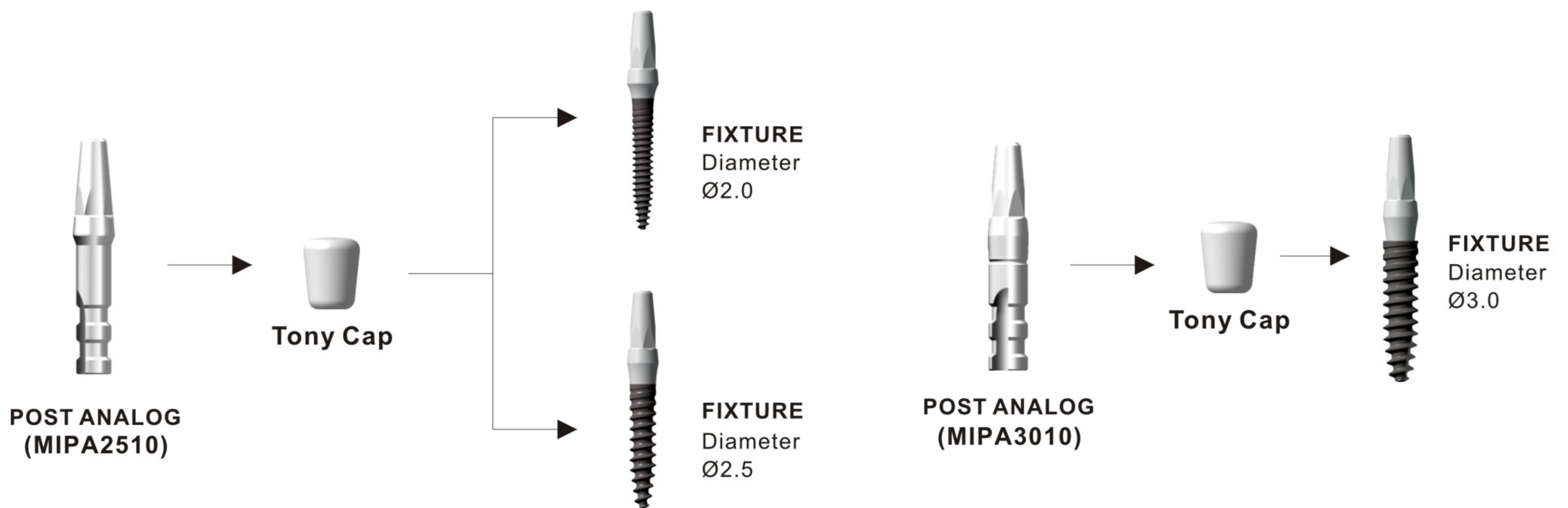
## SINGLE-CROWN



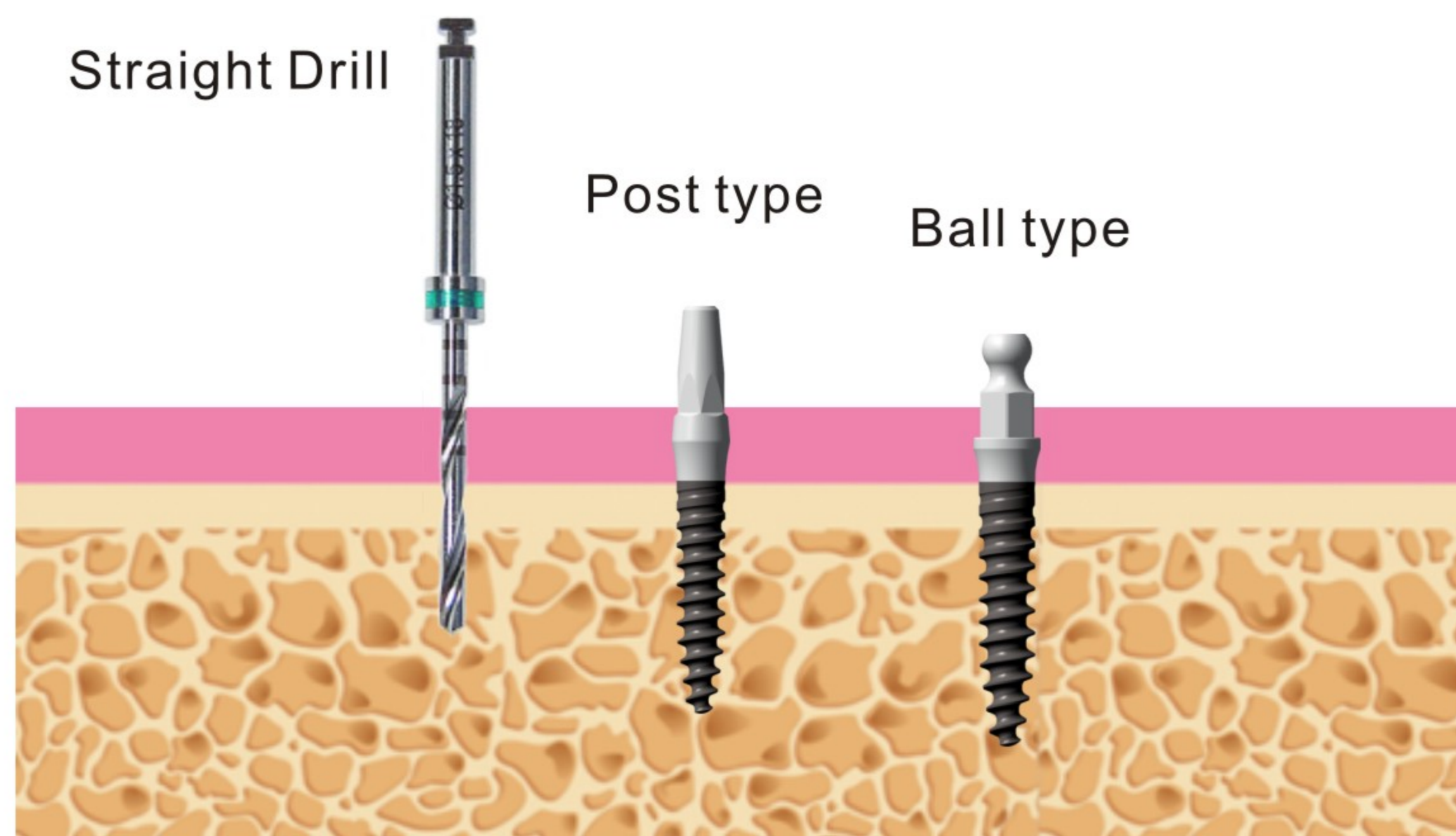
## OVERDENTURE



# Anker Mini Implant System Flowchart : MIP Series



## Surgical Drill Sequence



Fixture Diameter	HARD BONE		NORMAL BONE		SOFT BONE	
	Drill/Ø	Depth/mm	Drill/Ø	Depth/mm	Drill/Ø	Depth/mm
Ø2.0	1.2	1/2~3/4 of Fixture length	1.2	Width of Cortical Bone ~Half of Fixture length	—	—
Ø2.5	2.0	1/2~3/4 of Fixture length	1.5	Half of Fixture length	1.5	Drill to the equivalent width of Cortical Bone
Ø3.0	2.5	3/4~Full of Fixture length	2.0	Drill to the equivalent length of Fixture	2.0	1/2 of Fixture length
			2.5	Half of Fixture length	2.5	1/3 of Fixture length

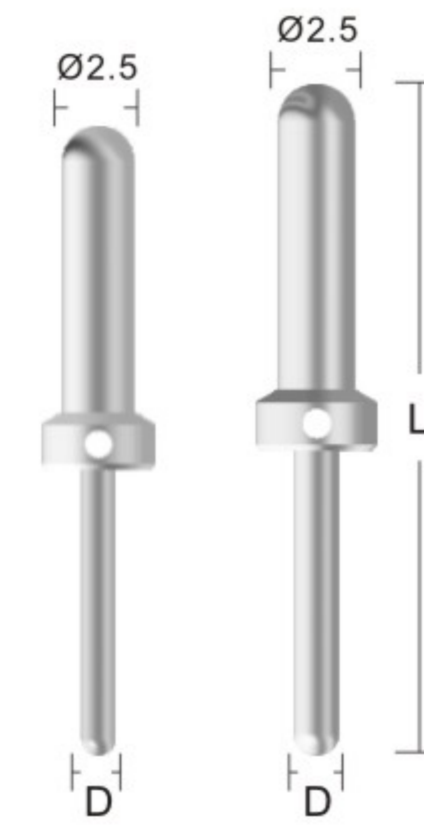
# Surgical Kit

## Straight Drill



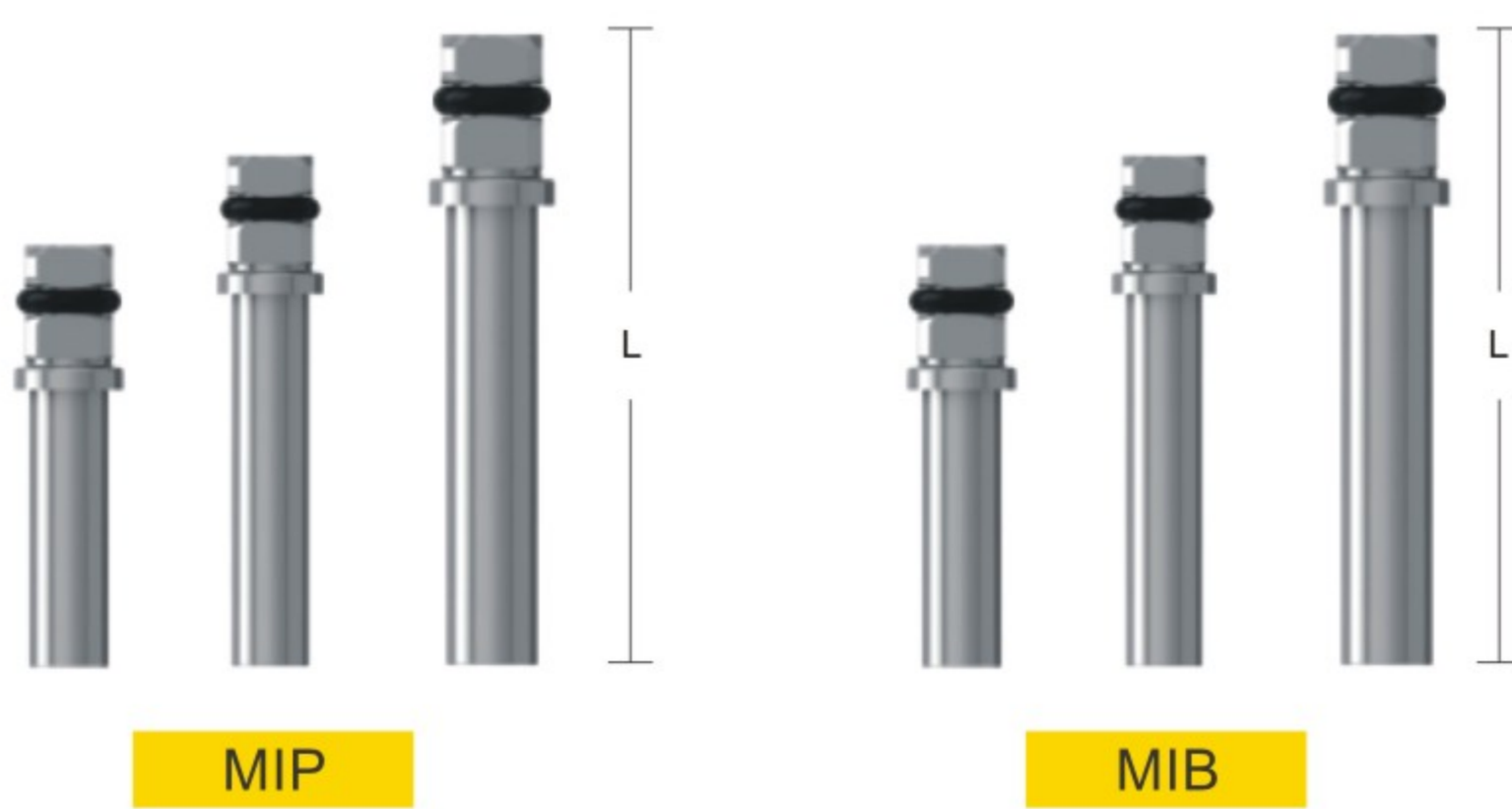
L \ D	Ø1.2	Ø1.5	Ø2.0	Ø2.5
18	<b>MSD1218</b>	<b>MSD1518</b>	<b>MSD2018</b>	<b>MSD2518</b>

## Parallel Pins



L \ D	Ø1.2	Ø1.5
18	<b>APP12</b>	<b>APP15</b>

## O-Ring Torque Driver



MIP ITEMS	L	REF No.
STANDARD	19mm	<b>AOTDP001S</b>
	24mm	<b>AOTDP001L</b>
OPTIONAL	30mm	<b>AOTDP001XL</b>

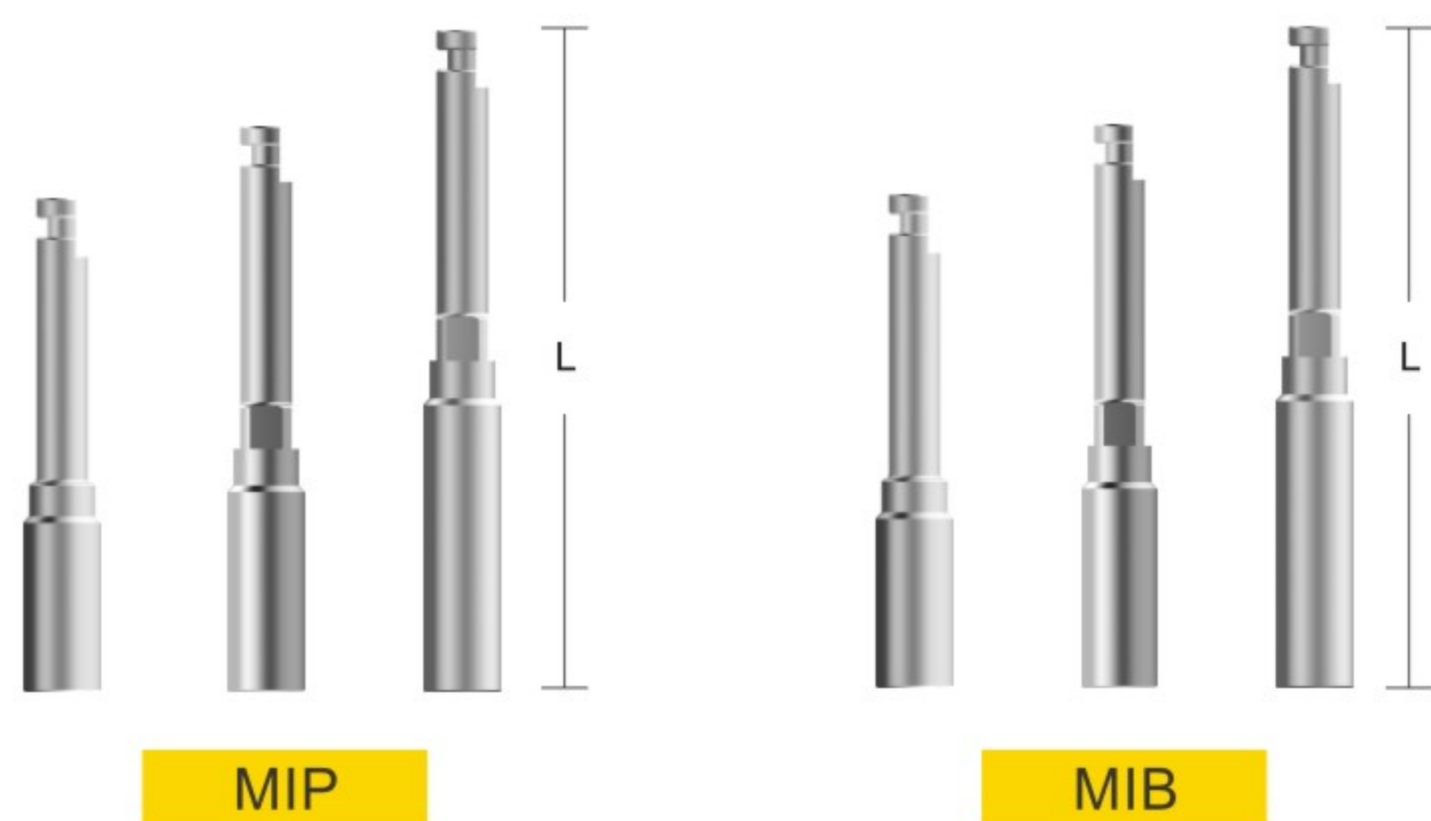
MIB ITEMS	L	REF No.
STANDARD	19mm	<b>AOTDB001S</b>
	24mm	<b>AOTDB001L</b>
OPTIONAL	30mm	<b>AOTDB001XL</b>

## Extension Driver



ITEM	L	REF No.
18	29.6mm	<b>AED002S</b>

## O-Ring Piece Driver



MIP ITEMS	L	REF No.
STANDARD	22.5mm	<b>AOPDP001S</b>
	26.3mm	<b>AOPDP001L</b>
OPTIONAL	30mm	<b>AOPDP001XL</b>

MIB ITEMS	L	REF No.
STANDARD	22.5mm	<b>AOPDB001S</b>
	26.3mm	<b>AOPDB001L</b>
OPTIONAL	30mm	<b>AOPDB001XL</b>

## Wrench



Code	ATW002
------	--------





2F., No.92, Luke 5th Rd., Luzhu Dist., Kaohsiung City  
82151, Taiwan

TEL : 886-7-6956688 FAX : 886-7-6955329

E-mail : [alliance@anchorfast.com.tw](mailto:alliance@anchorfast.com.tw)



TFDA GMP FDA

## Mini Implant Series